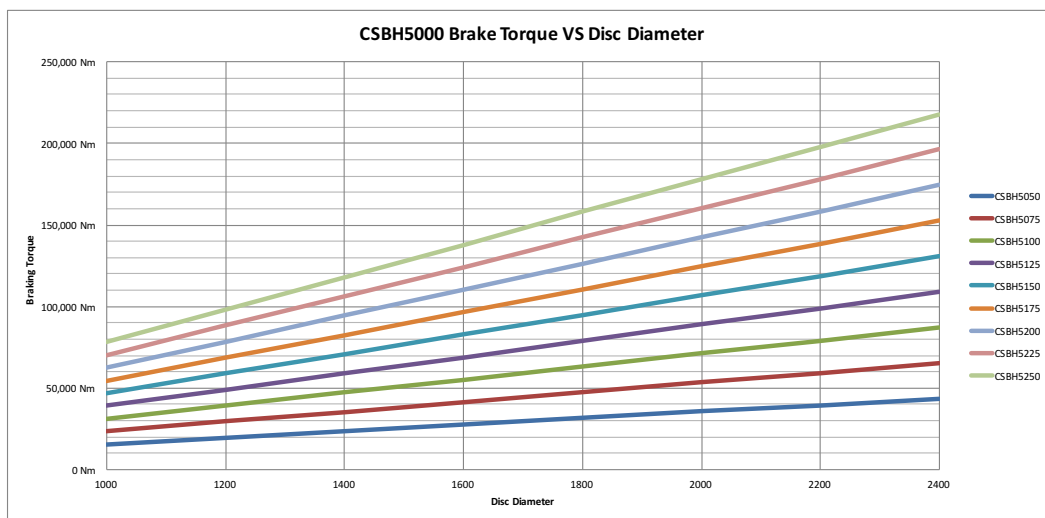
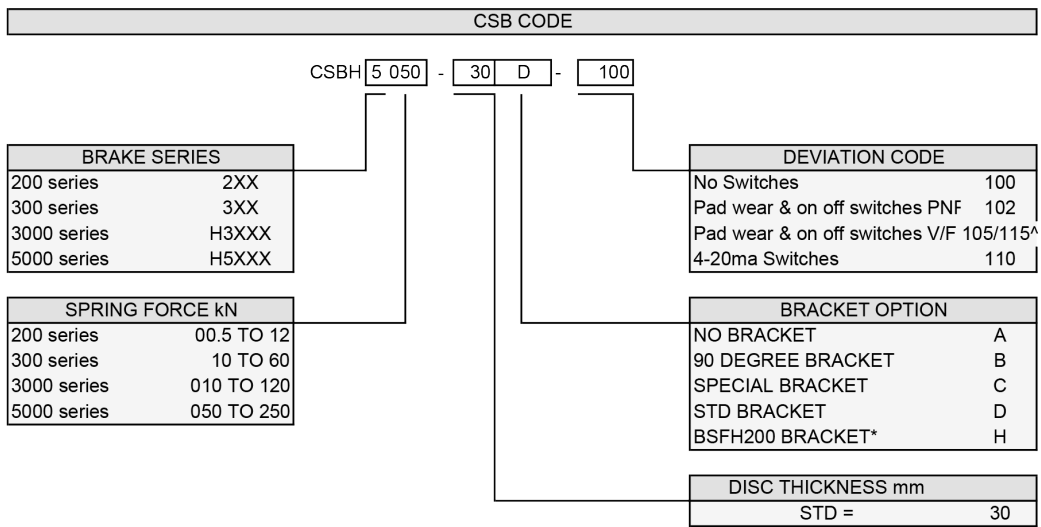


CSBH5000

The CSBH5000 is a spring applied and hydraulically released fail-safe disc brake with a clamping force up to 250KN.

- Designed in Australia for tough mining conditions
- Mechanical safety lockout
- Lower operating pressure
- Minimum moving parts
- Stainless steel adjusting screw and pad retainers
- Stainless steel pistons
- Cartridge style spring pack
- On / Off and pad wear proximity switches on both caliper halves
- Organic non-asbestos brake pads
- Brake suitable for marine and corrosive environments
- Custom designed power pack to operate the brake - available with various options
- CSBH5080 designed to meet MDG33 safety factors for mine winder applications





*Only available for CSB200 series

[^]105 for CSB300 & CSBH3000 series, 115 for CSB200 series

COMMON FEATURES	5000 Series
Weight excl. Bracket (kg)	340
Brake pad width (mm)	200
Area brake pad Organic cm ²	630
Max wear of pad half mm	11
Pressure connection ports BSPP	2x3/8"
Drain connection ports BSPP	2x1/4" 2x3/8"
Min pipe size (mm, ID)	8
Max operating pressure (bar)	230
Temperature range C	-20 to 70
Minimum Disc thickness (mm)	30
Min. disc diam. (mm)	1000
Max outer coupling diameter (mm) = disc diameter less	520

Caliper	Clamping Force	Braking Force	% Force loss/mm	Balance Pressure @ 1mm	Pressure at full retraction
Model	N	N	%	bar	bar
CSBH5050	50000	40000	1.30%	34	54
CSBH5075	75000	60000	6.00%	52	72
CSBH5100	100000	80000	5.10%	69	94
CSBH5125	125000	100000	3.40%	86	111
CSBH5150	150000	120000	3.70%	103	128
CSBH5175	175000	140000	4.50%	120	145
CSBH5200	200000	160000	9.00%	138	168
CSBH5225	225000	180000	8.30%	155	185
CSBH5250	250000	200000	8.00%	172	202

